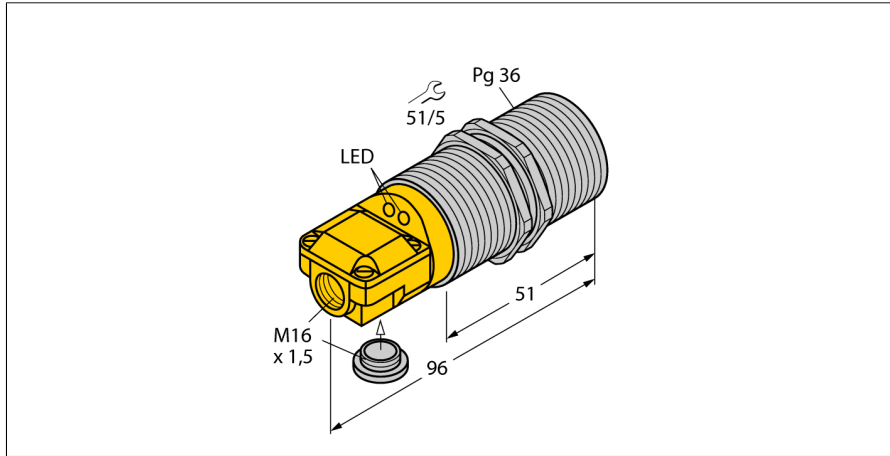


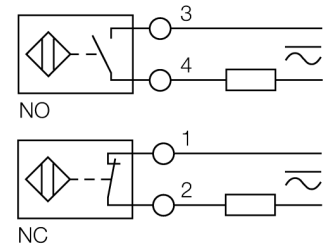
Inductive sensor

BI25-G47SR-FZ3X2 W/M16X1.5



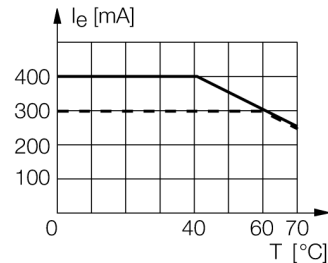
- 2 cable entries (axial, radial)
- Threaded barrel, Pg36
- Chrome-plated brass
- AC 2-wire, 20...250 VDC
- DC 2-wire, 10...300 VDC
- NC/NO programmable
- Terminal chamber

Wiring Diagram



Functional principle

Inductive sensors detect metal objects contactless and wear-free. For this, they use a high-frequency electromagnetic AC field that interacts with the target. Inductive sensors generate this field via an RLC circuit with a ferrite coil.

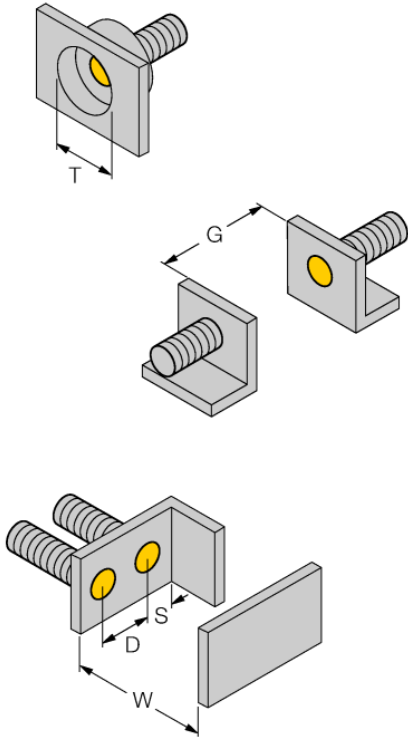


Type designation	BI25-G47SR-FZ3X2 W/M16X1.5
Ident-No.	13427
Rated switching distance S_n	25 mm
Mounting conditions	Flush
Secured operating distance	≤ (0,81 x S _n) mm
Correction factors	St37 = 1; Al = 0.3; stainless steel = 0.7; Ms = 0.4
Repeat accuracy	≤ 2 % of full scale
Temperature drift	≤ ± 10 %
Hysteresis	3...15 %
Ambient temperature	-25...+70 °C
Operating voltage	20...250VAC
Operating voltage	10...300 VDC
AC rated operational current	≤ 400 mA
DC rated operational current	≤ 300 mA
Frequency	≥ 50...≤ 60 Hz
Residual current	≤ 1.7 mA
Isolation test voltage	≤ 1.5 kV
Surge current	≤ 8 A (≤ 10 ms max. 5 Hz)
Voltage drop at I _e	≤ 6 V
Output function	2-wire, Connection programmable
Smallest operating current I _m	≥ 3 mA
Switching frequency	0.02 kHz
Design	Threaded barrel, G47
Dimensions	96 mm
Housing material	Metal, CuZn, Chrome-plated
Active area material	Plastic, PA12-GF30
Max. tightening torque housing nut	90 Nm
Electrical connection	Terminal chamber
Clamping ability	≤ 2.5 mm ²
Vibration resistance	55 Hz (1 mm)
Shock resistance	30 g (11 ms)
Protection class	IP67
MTTF	2283 years acc. to SN 29500 (Ed. 99) 40 °C
Power-on indication	LED, Green
Switching state	LED, Red
Included in delivery	cable gland, blanking plug

Inductive sensor BI25-G47SR-FZ3X2 W/M16X1.5

Distance D	2 x B
Distance W	3 x Sn
Distance T	3 x B
Distance S	1.5 x B
Distance G	6 x Sn

Diameter active area B	Ø 47 mm
------------------------	---------



Inductive sensor
BI25-G47SR-FZ3X2 W/M16X1.5



Accessories

Type code	Ident-No.	Description	
MB-47	69452	Mounting bracket; material: Steel plate, zinc-plated	